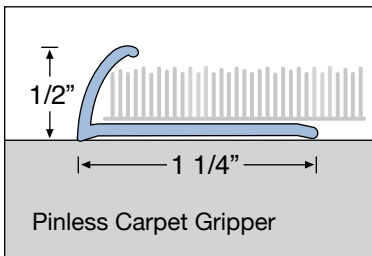
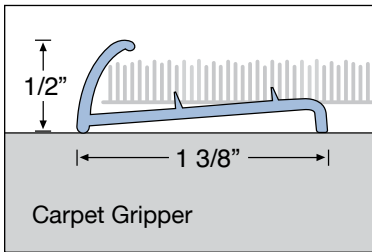


CARPET METAL TRIMS

These transition pieces are a new product line from Great Lakes Tile Products. We utilized historic designs adding our enhanced specifications for material thickness. The result is a strong and durable transition from carpet to other floor coverings.

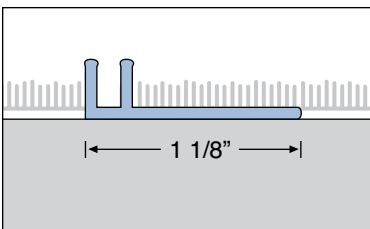
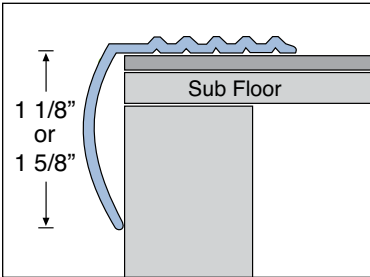
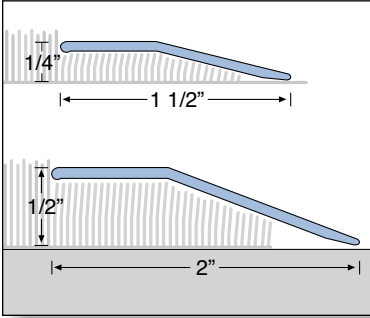


CARPET GRIPPER Carpet Metal Trims **NEW!**



Color	Great Lakes #	Qty/pkg	Size: in / mm	
CARPET GRIPPER				
Aluminum				
Hammered Satin Silver	GLM- HCGC125	20	1/2"	12.5
Hammered Gold	GLM- HCGG125	20	1/2"	12.5
Hammered Light Bronze	GLM- HCGB125	20	1/2"	12.5
PINLESS CARPET GRIPPER				
Aluminum				
Hammered Satin Silver	GLM- HPGC125	30	1/2"	12.5
Hammered Gold	GLM- HPGG125	30	1/2"	12.5
Hammered Light Bronze	GLM- HPGB125	30	1/2"	12.5
BENDABLE CARPET GRIPPER				
Aluminum				
Hammered Satin Silver	GLM- BNDHCGC125	20	1/2"	12.5
Hammered Gold	GLM- BNDHCGG125	20	1/2"	12.5
Hammered Light Bronze	GLM- BNDHCGB125	20	1/2"	12.5

All Carpet Metal Trims are sold in 8 ft lengths



BINDER BAR Carpet Metal Trims **NEW!**

Color	Great Lakes #	Qty/pkg	Size: in / mm	
Aluminum				
Hammered	GLM- HBBC1-125*	50	1-1/2"	38
Satin Silver	GLM- HBBC2*	25	2"	50
Hammered Gold				
	GLM- HBBG1-125*	50	1-1/2"	38
	GLM- HBBG2*	25	2"	50
Hammered Light Bronze				
	GLM- HBBB1-125*	50	1-1/2"	38
	GLM- HBBB2*	25	2"	50

STAIR NOSE Carpet Metal Trims **NEW!**

Color	Great Lakes #	Qty/pkg	Size: in / mm	
Aluminum				
Hammered	GLM- HSNC1-30*	20	1-1/8"	28
Satin Silver	GLM- HSNC1-160*	20	1-5/8"	42.5
Hammered Gold				
	GLM- HSNB1-30*	20	1-1/8"	28
	GLM- HSNB1-160*	20	1-5/8"	42.5
Hammered Light Bronze				
	GLM- HSNB1-30*	20	1-1/8"	28
	GLM- HSNB1-160*	20	1-5/8"	42.5

PINLESS TRACK Carpet Metal Trims **NEW!**

Color	Great Lakes #	Qty/pkg	Size: in / mm	
Aluminum				
Mill (aluminum silver - not anodized)	GLM- PT1-28	40	1-1/8"	28

All Carpet Metal Trims are sold in 8 ft lengths

* Items marked with an asterisk include nails with full box quantities